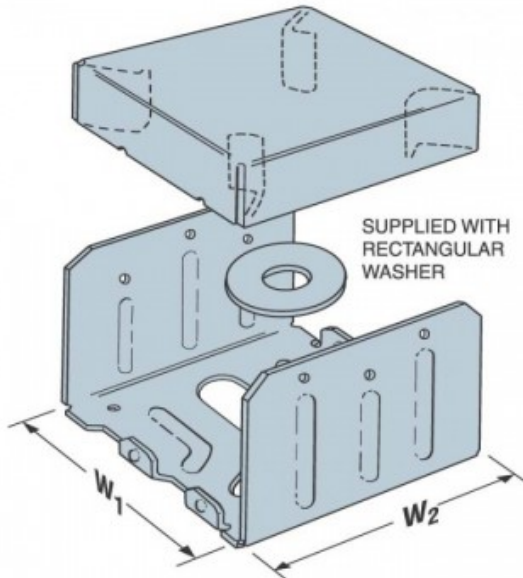


WE DISCOVER
YOU CREATE

Adjustable Post Base



- Reduces the potential for decay at post and column ends
- Pre-galvanised mild steel
- 25mm standoff height above concrete floors
- Includes anchor bolt adjustment slot

Adjustable Post Anchor Base

Features 25mm standoff height above concrete floors to reduce the potential for decay at post and column ends.

ABE base design includes anchor bolt adjustment slot. Four-sided standoff plate increases download support and provides attractive appearance.

ABE and U may be attached to anchor bolt set when concrete is poured or by means of a chemical or expansion anchor in existing concrete.

Material

Pre-galvanised mild steel see table; CB -- 5.0mm mild steel.

Finish

CB -- Hot-dip galvanised.