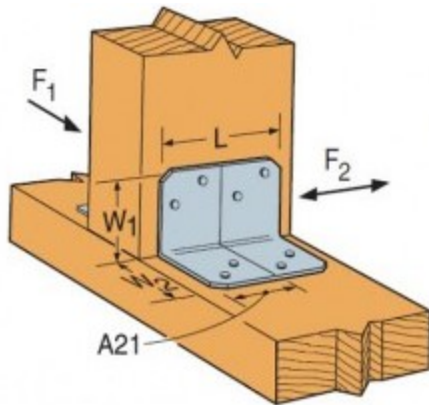


WE DISCOVER  
YOU CREATE

## A21 Angle Bracket



Typical  
A21  
Installation

- Angle Bracket
- Pre-galvanised mild steel.
- Used to assemble structural joinery
- Suitable for internal and external applications requiring 90° fixing

These angle brackets are used to assemble structural joinery for both internal and external applications requiring 90° fixing.

### Dimensions

- Width 1 – 50mm
- Width 2 – 38mm
- Width 3 – 35mm