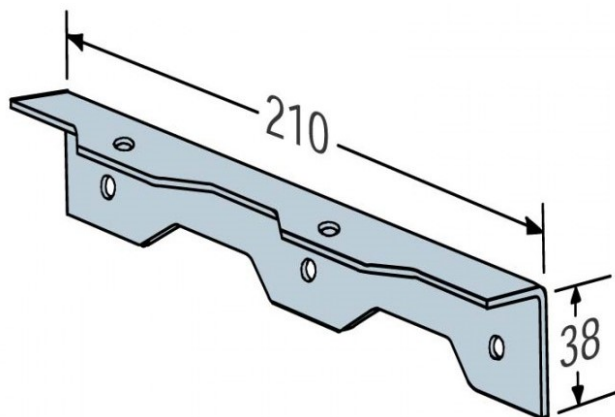


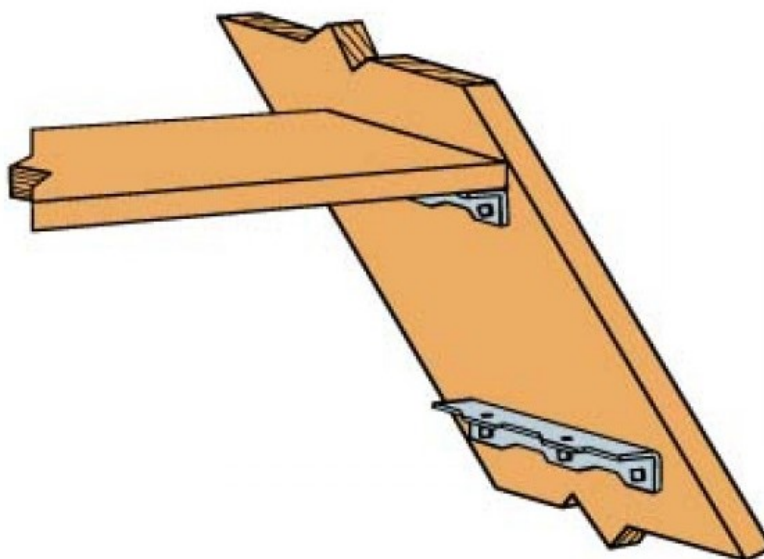
WE DISCOVER  
YOU CREATE

**SILVA**  
TIMBER PRODUCTS

## Staircase Angle



- 1.2mm mild steel with pre-galvanised finish
- Provides positive connection eliminating need to notch the stringer
- Simple installation



Provides a positive connection, eliminating the need to notch the stringer. A full width stringer is stronger and makes it easier to meet maximum guardrail opening requirements of the codes. ZMAXR coating or stainless steel recommended.

Made from 1.2mm mild steel with pre-galvanised finish.

Stair angles must be properly connected to the deck, and treads properly connected to the angles, in order to resist loads. In addition, code requirements regarding opening between stair treads and stair railing must also be met.

[www.silvatimber.co.uk](http://www.silvatimber.co.uk) | [enquiries@silvatimber.co.uk](mailto:enquiries@silvatimber.co.uk) | 0151 495 3111 | 020 8150 8055



Registered Office: Unit 4 Albright Road, Widnes, Cheshire, WA8 8FY  
Registered in England and Wales No: 4626406  
VAT Registration Number: 756 3271 21