



# TECHNICAL SPECIFICATION

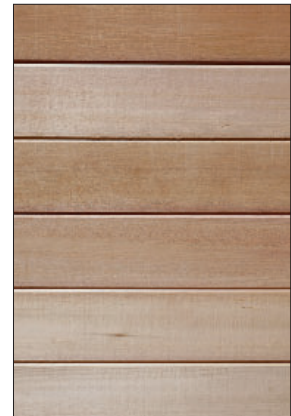
## COWICHAN GOLD **BOARDS**

### Overview

Cowichan Gold is produced from fine-grained, old-growth Western Red Cedar wood fibre, sourced from forests in the coastal regions of British Columbia.

Cowichan Gold boards have a multitude of uses. As a façade material, they are ideal for creating board-on-board or open jointed styles of cladding. Boards are also perfect for providing the finishing touches and details that make truly stunning buildings. Uses include fascia, bargeboards, door and window reveals, and corner trim. When used in landscaping and garden design, they make striking fences and horizontal slatted screens.

Terminal's most exclusive brand, Cowichan Gold, is virtually knot-free, all heartwood, and all vertical grain. It is the highest quality Western Red Cedar cladding available anywhere.



### Wood species

Western Red Cedar (*Thuja plicata*).

### Profile, sizes, and lengths

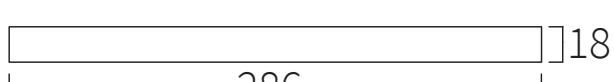
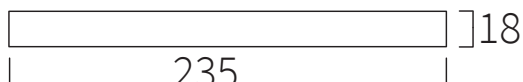
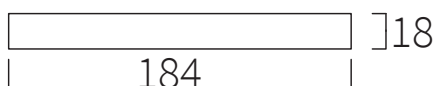
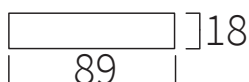
**Profile:** Board.

**Lengths:** 1.83m to 6.1m.

Sizes <sup>1</sup> :	Profile codes:
18 x 89mm	ST010222
18 x 140mm	ST010224
18 x 184mm	ST010225
18 x 235mm	ST010226
18 x 286mm	ST010227

WE DISCOVER  
YOU CREATE

**SILVA**  
TIMBER PRODUCTS



All measurements displayed in millimetres.

## Product specification

---

<b>Name</b>	Cowichan Gold Western Red Cedar Boards.
<b>Classification</b>	Cowichan Gold Western Red Cedar (internal and external use) is classified as 'Class 2 Durable' by BS EN 113 and is CE marked and approved.
<b>Grade</b>	Clear Heart Vertical Grain.
<b>Surface texture</b>	SAWTEX™ fine sawn texture on the face (for optimal coating performance), smooth planed on the rear.
<b>Durability</b>	Decay resistance of durability Class 2 (durable) according to the EN 113 standard.
<b>Serviceable life</b>	Western Red Cedar can achieve a service life of 60+ years when the wood is properly detailed and maintained. Cowichan Gold is virtually knot-free and all heartwood making it the most durable Western Red Cedar available.
<b>Moisture content</b>	12-15% +/- 2%.
<b>Density</b>	370 to 385 kg/m <sup>3</sup> when kiln-dried to 12-15% +/- 2% moisture content.
<b>Fire</b>	Class D-s2, d0 in accordance with the SBI (single burning item).
<b>Thermal properties</b>	0.11 W/(m K)*1. At 12% moisture content.
<b>Sustainability</b>	Cowichan Gold Western Red Cedar is PEFC certified, ensuring the raw material is sourced from sustainably managed forests.
<b>Uses</b>	Open jointed cladding, board-on-board cladding, fascia, bargeboards, window and door reveals, corner trim etc.

## Factory coating

---

Cowichan Gold Western Red Cedar cladding can be factory coated enabling it to be installed at any time of year regardless of the weather or temperature. The application of a coating is necessary to protect the wood from the damaging effects of moisture and UV, to help prevent the wood from turning grey and to curb the growth of fungi that produce mould or blue stains.

Factory coating service is available on boards up to 184mm.

## Recommended coating systems

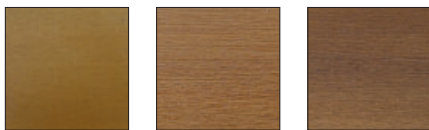
Silva's factory coated cladding range is available with a choice of two high-performance coating systems.



### Sansin SDF™

SDF's specially formulated oils and resins penetrate into the wood, providing outstanding weather and UV protection. High-quality nano pigments create vibrant colours that last. Available in a wide range of natural, semi-transparent and solid colours.

Trend Series Natural: Three specially formulated natural tones to complement and enhance the natural colours of Western Red Cedar.



Light

Medium

Dark

Trend Series Opaque: Five of our most popular low maintenance solid colours.



Black

Anthracite

Cashmere

Rich Cedar

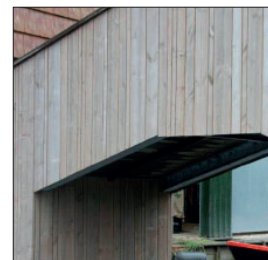
Coniston Grey

Full Sansin Colour Range: A choice of over 100 colours from five exterior colour tone categories: Natural, Translucent, Saturated, Ultra-saturated, Solid Hide.

Special Colours: Custom colours and RAL colour matching available.

### Sansin Wood Sealer™

A low-VOC water-borne penetrating treatment. Virtually invisible once applied, it is designed to reduce moisture absorption and minimise surface growth and discolouration. Over time, the wood will weather uniformly to a beautiful silver-grey tone.



Wood sealer four years after installation

## Maintenance

Sansin SDF and Wood Sealer penetrate the surface of the wood, so unlike film-forming finishes, they will not crack, peel, or blister.

Easy maintenance - no sanding or stripping necessary.

Clean and apply a single coat to refresh appearance as required.

## Important design considerations

---

**Required fixings** 60mm stainless steel annular ring shank nails – flat head, grade 304.

Use marine-grade 316 for exposed areas such as tall elevations and coastal locations for ultimate corrosion resistance.

**Fixing instructions** Install horizontally or vertically.

Use a suitable breathable waterproof membrane except on already watertight walls e.g. masonry.

Ensure there is an adequate cavity between the cladding and the external walls to provide drainage and ventilation.

Ensure that there are suitable flashings at the boundaries of the cladding at junctions with other components, and around openings in order to direct water clear of the cladding.

Minimum recommended gap of 2mm between the joint of adjoining boards.

Nail fixing should be, where possible, at least 30mm from the end of each board and 30mm from the edges.

Leave a 15mm gap between the bottom of vertical boards and flashings. Horizontal boards stop short of any vertical members by 8 – 10mm to allow ventilation to the end grain of the boards.

Stop the cladding 200 – 250mm above ground level, or abutting roofs, to prevent indirect wetting as a result of splashback off the ground or other horizontal surfaces.

Apply end sealer or a good coating of touch up stain to any cut ends.

**Batten instructions** Horizontal cladding is fixed to vertical battens.

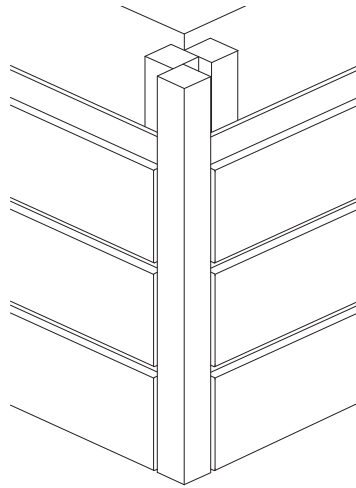
Vertical cladding is fixed to horizontal battens on top of vertical counter battens to provide adequate airflow.

Battens should be configured so as not to restrict drainage and the vertical circulation of air.

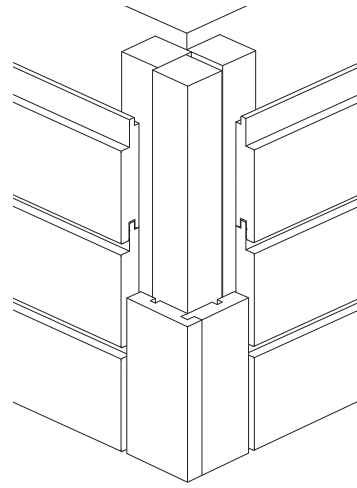
Vertical battens should be a minimum thickness of 38mm treated softwood.

Battens fixed vertically to timber-framed walls or aligned with a stud wall should be 19mm as a minimum. If attached to a masonry wall use 38mm minimum.

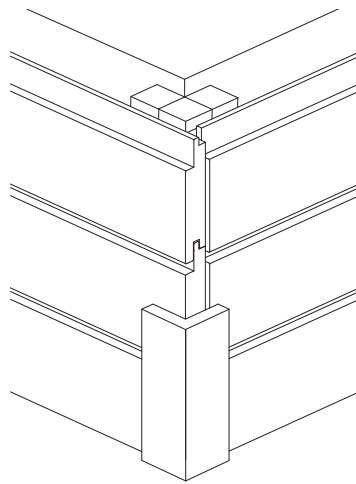
**Corner detail**



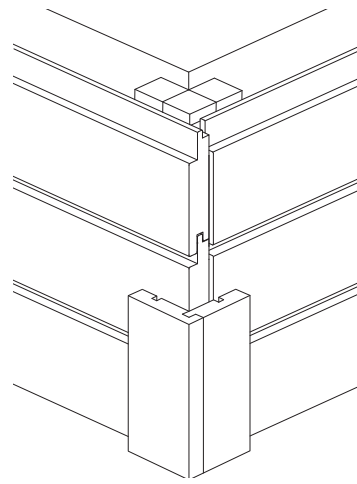
Square timber corner detail.



Square timber corner detail with 2-piece L-shaped corner.



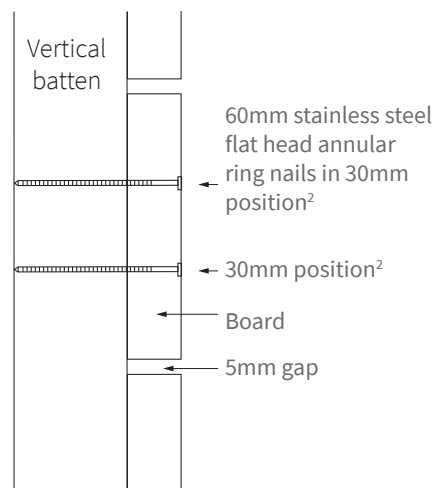
L-shaped timber corner detail.



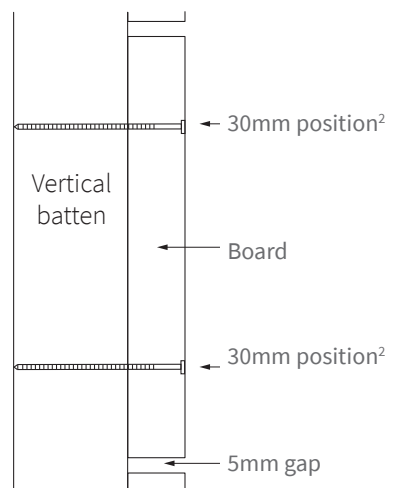
2-piece L-shaped timber corner detail.

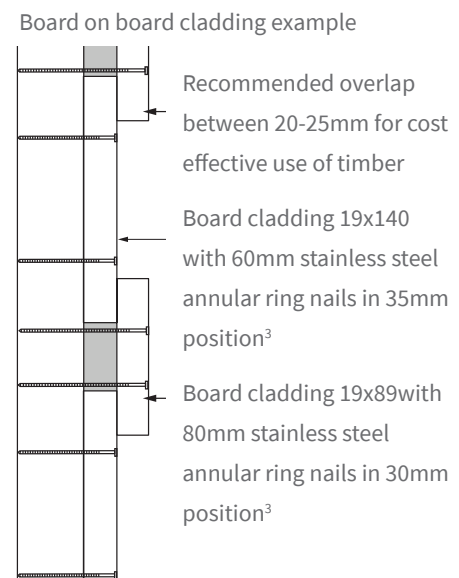
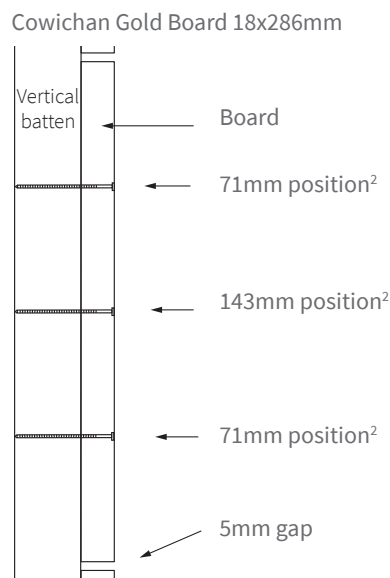
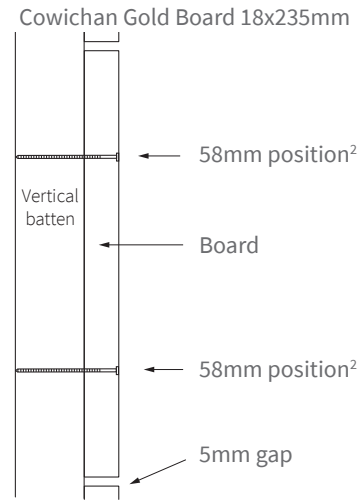
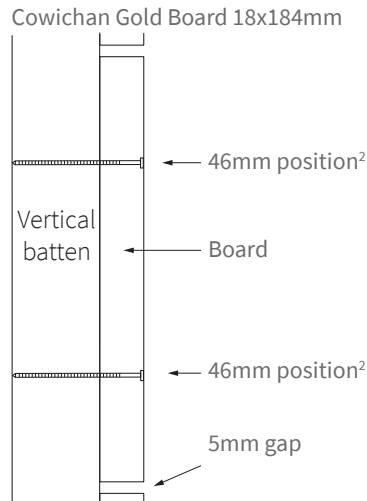
**Wall fixing position**

Cowichan Gold Board 18x89mm



Cowichan Gold Board 18x140mm





Silva Timber recommends where possible to position nails a minimum of 30mm from the edge of the board.

## Storage & handling

Store cladding, horizontally, on a solid surface (not earth/grass) in a dry, well-ventilated space sheltered from the sun and rain.

Raise off the ground on bearers to allow airflow through and around the stack and place bearers at regular intervals to prevent stack from bowing.

Cowichan Gold Western Red Cedar is a natural wood product without additional chemicals. When not glued or painted, uncoated Cowichan Gold Western Red Cedar waste can be handled like any other untreated wood waste.

## Accessories

---

### Corner solutions

WRC L shaped corner	SKU: CCTRM CNR0204 1M	Profile code: ST010431
WRC 2 piece L shaped corner	SKU: KITCCTRMST01043 1M	Profile code: ST010435
WRC square shaped corner trim	SKU: CC0202TRM 1M	Profile code: ST010432

### Fixings

60mm stainless steel flat head annular ring nails    SKU: 60SHANK

### Breathable membranes

DuPont™ Tyvek® HouseWrap®    SKU: TY44RHW10028

### Coatings

Sansin® SDF    SKU: dependent on range and colour

Sansin® Wood Sealer    SKU: 8211/

<sup>1</sup> Note: slight changes in size may occur after machining in response to changes in moisture levels. Though the timber will be kiln-dried to 12 – 15% +/- 2% at the time of production, the moisture level may increase or decrease according to the temperature and the relative humidity (RH) of the ambient air. Changes in moisture levels may cause the cladding to expand or contract slightly, therefore a margin of error to accommodate slight variance in size should be used when producing layout drawings.

<sup>2</sup> Suggested fixing positions for boards should be a minimum of 30mm from board edges (from the furthest edge of the board) using 60mm stainless steel flat head annular ring nails.

\* Actual product colours may vary from colours shown on your monitor. Colours can be verified by ordering a sample. If you have any questions, please contact us on 0151 495 3111 or email to [enquiries@silvatimber.co.uk](mailto:enquiries@silvatimber.co.uk).