



TECHNICAL SPECIFICATION

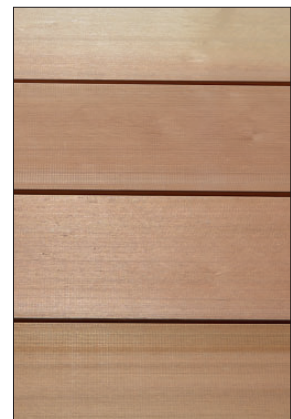
SILVA SELECT PRESTIGE VG **BOARDS**

Overview

Silva Select Prestige VG is produced from the highest quality clear vertical grain Western Red Cedar. The raw material is harvested from forests in the coastal regions of British Columbia, Canada, an area known to yield the finest, dense grained cedar logs.

There is a vast range of end uses for our Silva Select Prestige VG Western Red Cedar boards. Combine the different board widths to create board and batten (board-on-board) style cladding, which adds a sense of depth and texture to any façade. Select Prestige VG boards are used for open jointed cladding, fascia, bargeboards, door and window reveals, corner trim, fences, horizontal slatted screens, and many more applications.

Specially selected No. 2 Clear & Better Vertical Grain heartwood is pre-graded at the sawmill, sized and graded in the planning facility, dried under strict controls, and then graded once again. The result of this three-step process is the highest standard No. 2 Clear & Better available.



Wood species

Western Red Cedar (*Thuja plicata*).

Profile, sizes, and lengths

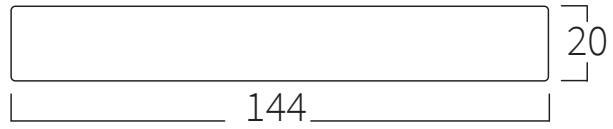
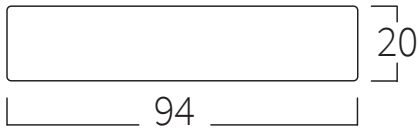
Profile: Board.

Lengths: 1.83m to 6.1m.

Sizes ¹ :	Profile codes:
20 x 94mm	ST010408
20 x 144mm	ST010409

WE DISCOVER
YOU CREATE

SILVA
TIMBER PRODUCTS



All measurements displayed in millimetres.

Product specification

Name	Silva Select Prestige VG Boards.
Classification	Silva Select Prestige VG (internal and external use) is classified as 'Class 2 Durable' by BS EN 350 and is CE marked and approved.
Grade	No. 2 Clear & Better Vertical Grain heartwood.
Surface texture	Smooth face.
Durability	Decay resistance of durability Class 2 (durable) according to the EN 113 standard.
Serviceable life	Western Red Cedar can achieve a service life of 60+ years when the wood is properly detailed and maintained. Silva Select Prestige VG is 100% heartwood making it the most durable Western Red Cedar available.
Moisture content	12-15% +/- 2%.
Density	370 to 385 kg/m ³ when kiln-dried to 12-15% +/- 2% moisture content.
Fire	Class D-s2, d0 in accordance with the SBI (single burning item).
Thermal Properties	0.11 W/(m K) ¹ . At 12% moisture content.
Sustainability	Silva Select Prestige VG Western Red Cedar is PEFC certified, ensuring the raw material is sourced from sustainably managed forests.
Uses	Open jointed cladding, board on board cladding, fascia, bargeboards, window and door reveals, corner trim etc.

Factory coating

Silva Select Prestige VG cladding can be factory coated enabling it to be installed at any time of year regardless of the weather or temperature. The application of a coating is necessary to protect the wood from the damaging effects of moisture and UV, to help prevent the wood from turning grey and to curb the growth of fungi that produce mould or blue stains.

Recommended coating systems

Silva's factory coated cladding range is available with a choice of two high-performance coating systems.



Sansin SDF™

SDF's specially formulated oils and resins penetrate into the wood, providing outstanding weather and UV protection. High-quality nano pigments create vibrant colours that last. Available in a wide range of natural, semi-transparent and solid colours.

Trend Series Natural: Three specially formulated natural tones to complement and enhance the natural colours of Western Red Cedar.



Light

Medium

Dark

Trend Series Opaque: Five of our most popular low maintenance solid colours.



Black

Anthracite

Cashmere

Rich Cedar

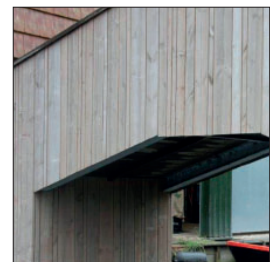
Coniston Grey

Full Sansin Colour Range: A choice of over 100 colours from five exterior colour tone categories: Natural, Translucent, Saturated, Ultra-saturated, Solid Hide.

Special Colours: Custom colours and RAL colour matching available.

Sansin Wood Sealer™

A low-VOC water-borne penetrating treatment. Virtually invisible once applied, it is designed to reduce moisture absorption and minimise surface growth and discolouration. Over time, the wood will weather uniformly to a beautiful silver-grey tone.



Wood sealer four years after installation

Maintenance

Sansin SDF and Wood Sealer penetrate the surface of the wood, so unlike film-forming finishes, they will not crack, peel, or blister.

Easy maintenance - no sanding or stripping necessary.

Clean and apply a single coat to refresh appearance as required.

Important design considerations

Required fixings 60mm stainless steel annular ring shank nails – flat head, grade 304.

Use marine-grade 316 for exposed areas such as tall elevations and coastal locations for ultimate corrosion resistance.

Fixing instructions Install horizontally or vertically.

Use a suitable breathable waterproof membrane except on already watertight walls e.g. masonry.

Ensure there is an adequate cavity between the cladding and the external walls to provide drainage and ventilation.

Ensure that there are suitable flashings at the boundaries of the cladding at junctions with other components, and around openings in order to direct water clear of the cladding.

Minimum recommended gap of 2mm between the joint of adjoining boards.

Nail fixing should be, where possible, at least 30mm from the end of each board and 30mm from the edges.

Leave a 15mm gap between the bottom of vertical boards and flashings. Horizontal boards stop short of any vertical members by 8 – 10mm to allow ventilation to the end grain of the boards.

Stop the cladding 200 – 250mm above ground level, or abutting roofs, to prevent indirect wetting as a result of splashback off the ground or other horizontal surfaces.

Apply end sealer or a good coating of touch up stain to any cut ends.

Batten instructions Horizontal cladding is fixed to vertical battens.

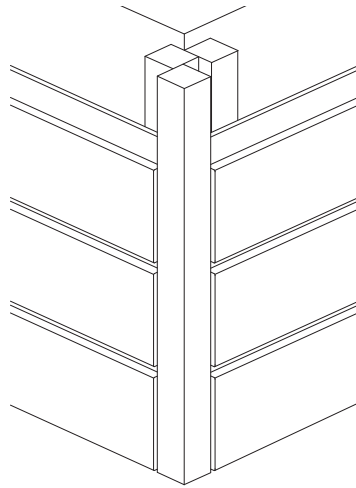
Vertical cladding is fixed to horizontal battens on top of vertical counter battens to provide adequate airflow.

Battens should be configured so as not to restrict drainage and the vertical circulation of air.

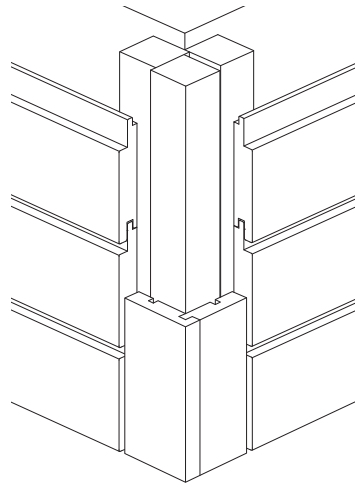
Vertical battens should be a minimum thickness of 38mm treated softwood.

Battens fixed vertically to timber-framed walls or aligned with a stud wall should be 19mm as a minimum. If attached to a masonry wall use 38mm minimum.

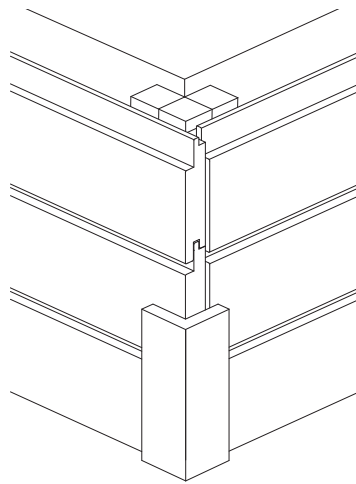
Corner details



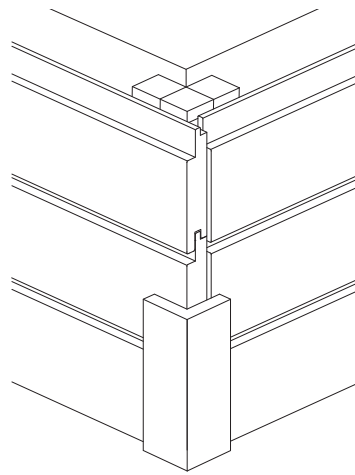
Square timber corner detail.



Square timber corner detail with 2-piece L-shaped corner.

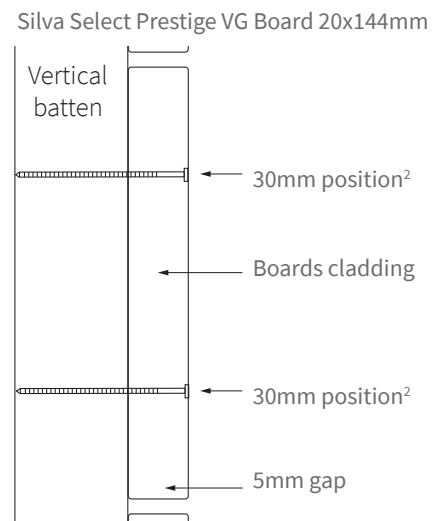
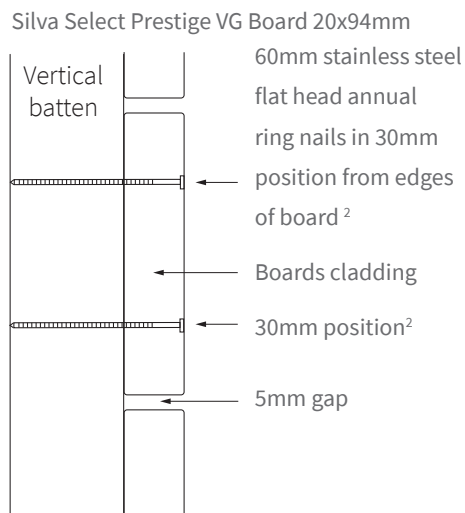


L-shaped timber corner detail.

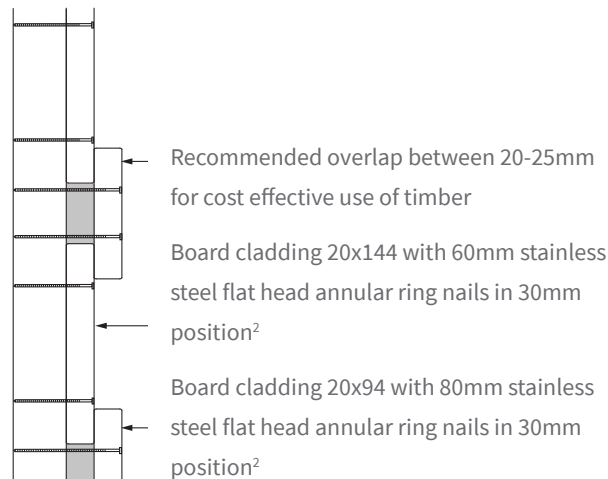


2-piece L-shaped timber corner detail.

Wall fixing position



Board on board cladding example



Silva Timber recommends where possible to position nails a minimum of 30mm from the edge of the board.

Storage & handling

Store cladding, horizontally, on a solid surface (not earth/grass) in a dry, well-ventilated space sheltered from the sun and rain.

Raise off the ground on bearers to allow airflow through and around the stack and place bearers at regular intervals to prevent stack from bowing.

Silva Select is a natural wood product without additional chemicals. When not glued or painted, uncoated Silva Select waste can be handled like any other untreated wood waste.

Accessories

Corner solutions

WRC L shaped corner	SKU: CCTRM CNR0204 1M	Profile code: ST010431
WRC 2 piece L shaped corner	SKU: KITCCTRMST01043 1M	Profile code: ST010435
WRC square shaped corner trim	SKU: CC0202TRM 1M	Profile code: ST010432

Fixings

60mm stainless steel flat head annular ring nails SKU: 60SHANK

Breathable membranes

DuPont™ Tyvek® HouseWrap® SKU: TY44RHW10028

Coatings

Sansin® SDF SKU: dependent on range and colour
Sansin® Wood Sealer SKU: 8211/

¹ Note: slight changes in size may occur after machining in response to changes in moisture levels. Though the timber will be kiln-dried to 12 - 15% +/- 2% at the time of production, the moisture level may increase or decrease according to the temperature and the relative humidity (RH) of the ambient air. Changes in moisture levels may cause the cladding to expand or contract slightly, therefore a margin of error to accommodate slight variance in size should be used when producing layout drawings.

² Suggested fixing positions for boards should be a minimum of 30mm from board edges (from the furthest edge of the board) using 60mm stainless steel flat head annular ring nails.

* Actual product colours may vary from colours shown on your monitor. Colours can be verified by ordering a sample. If you have any questions, please contact us on 0151 495 3111 or email to enquiries@silvatimber.co.uk.

T: 0151 495 3111
E: enquiries@silvatimber.co.uk
W: silvatimber.co.uk

SILVA 
TIMBER PRODUCTS